



KIT PART NUMBERS 7211283, 7211315, 7211316
INSTRUCTIONS FOR INSTALLING:
CABINET EXTENSION PANELS ON MODEL 721 SNACK MACHINE

CHECK THE PARTS RECEIVED IN THE KIT WITH THE PARTS LIST IN THESE INSTRUCTIONS. IF ANY PARTS ARE MISSING, CONTACT THE NATIONAL VENDORS PARTS DEPARTMENT IMMEDIATELY.

Read these instructions carefully before installing the kit.

Keep these instructions for part numbers and for future reference.

This kit contains the following :

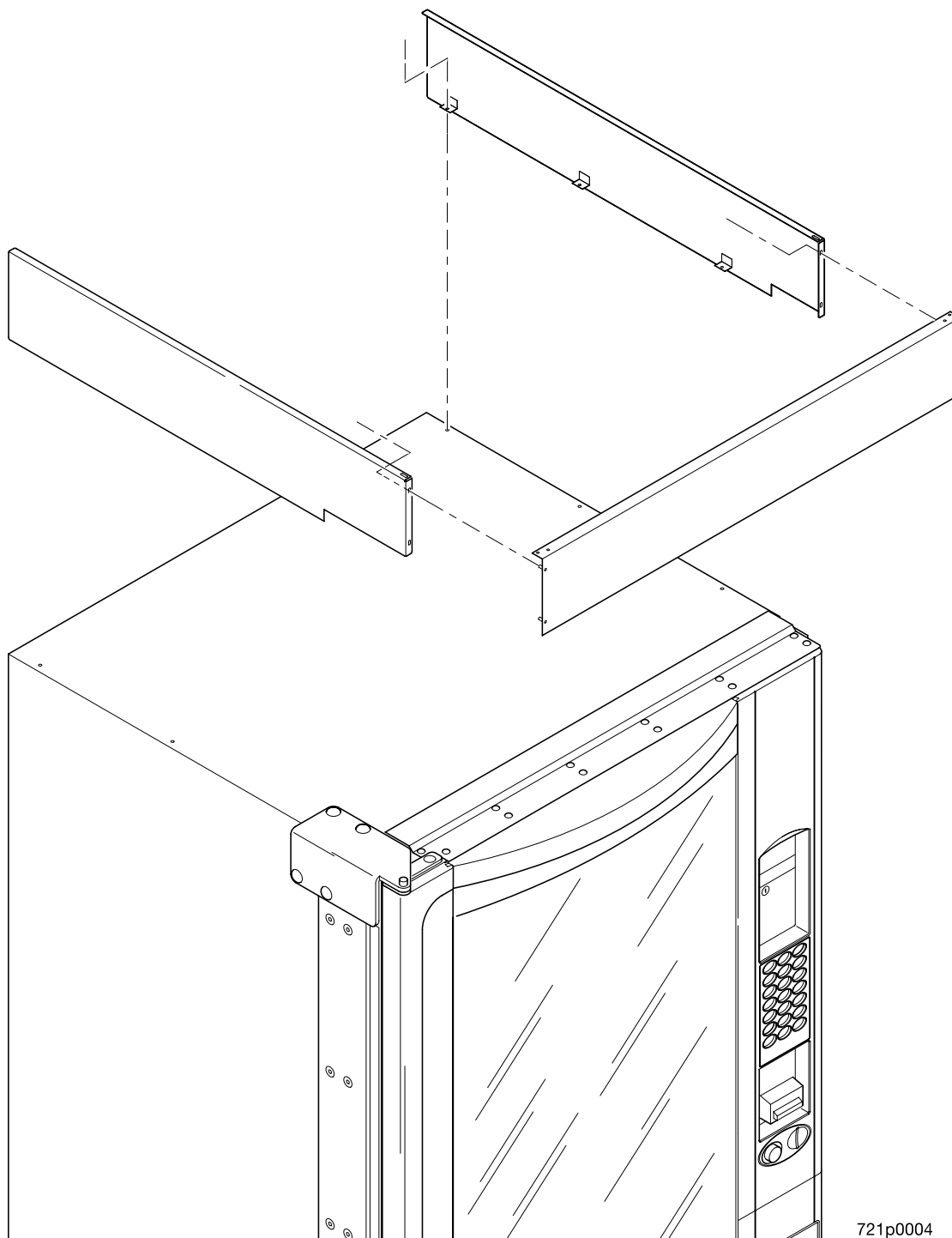
PART NUMBER	DESCRIPTION	QUANTITY
7211277	PANEL - CABINET EXTENSION FRONT - BLACK	1
7211308	PANEL - CABINET EXTENSION FRONT - ODS RED	
7211309	PANEL - CABINET EXTENSION FRONT - ODS BLUE	
7211281	PANEL - CABINET EXTENSION LEFT - BLACK	1
7211304	PANEL - CABINET EXTENSION LEFT - ODS RED	
7211305	PANEL - CABINET EXTENSION LEFT - ODS BLUE	
7211282	PANEL - CABINET EXTENSION RIGHT - BLACK	1
7211306	PANEL - CABINET EXTENSION RIGHT - ODS RED	
7211307	PANEL - CABINET EXTENSION RIGHT - ODS BLUE	
1451097	SCREW #8-32 X .31 HEX HD 7F BLK	6
9900081	8-32 KEPS NUT ZINC	6
7211284	INSTALLATION INSTRUCTIONS	1

1. Locate the left extension panel on the top hinge side of the machine. Make sure the rear of the panel is flush with the rear of the machine, and the left side of the panel is flush with the left side of the machine.
2. Using the brackets as a guide, mark the location of the mounting holes on the top of the machine. Set the panel aside.
3. Using a .136" bit, drill the mounting holes in the top of the machine in the locations you marked. ***Be careful to drill no further than just through the metal skin of the cabinet.***
4. Mount the panel, using three (3) screws.
5. Repeat steps 1 through 4 for the right hand panel.



6. Mount the front panel as follows:

- a. Holding the front panel at a slight angle, guide the two threaded studs in the top lip of the front panel into the holes in the tops of the side panels.
- b. Swing the front panel down into the side panels.
- c. Secure the front panel with six (6) nuts.



721p0004